

LAUNCHING NOW - NextRun Program

# Doors on demand



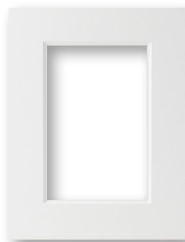
725 - Misty Morning | Quartered Oak Collection

Offer your customers a streamlined way to source small quantities of doors and drawer fronts matched to your stocked panels with our **NextRun** Program.

## PROGRAM FEATURES

- // **Rigid Thermofoil (RTF) cabinet doors and drawer fronts** are available in select 3DL Surface Synergies offerings with a white or matching backer.
- // **A 12-day turn plus shipping** make this program well suited for project-based or stock applications.
- // **Small volume orders** of doors and drawer fronts, and more, allow you to source only what's necessary.
- // **Seven market-curated profiles** provide customers with a focused, versatile selection aligned with current design demand.

PREPPED FOR GLASS



GROOVED CRAFTSMAN



TRADITIONAL SHAKER



THIN SHAKER



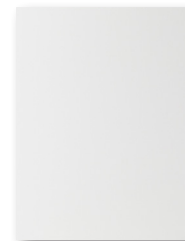
TRADITIONAL OGEE



RAISED CENTER PANEL








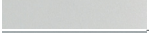









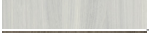



CONTEMPORARY SLAB





## SIMPLIFY SOURCING AND SHIPPING

Select from these colors, precision-matched to Funder TFL panels. Then consolidate your doors, drawer fronts and TFL panels onto one truck for streamlined delivery and reduced freight.

COLLECTIONS	TFL	HPL	3DL	2DL	Edgeband	
<b>SOLIDS</b>						
<b>Modern Oasis Collection</b>						
	759 - Taupe Retreat	N   4	N   4	N   4*	N   4*	N   4
	758 - Sage Sanctuary	N   4	N   4	N   4*	N   4*	N   4
	748 - Soothing Blue	N   4	N   4	N   4*	N   4*	N   4
	751 - Midnight Mirage	N   4	N   4	N   4*	N   4*	N   4
<b>Foundational Collection</b>						
	941 - Nova White	N   4	N   4	N   4*	N   4*	N   4
	971 - McKinley White	N   4	N   4	N   4*	N   4*	N   4
	955 - Folkstone	N   4	N   4	N   4*	N   4*	N   4
	128 - Fog	N   4	N   4	N   4*	N   4*	N   4
	107 - Black	N   4	N   4	N   4*	N   4*	N   4
<b>WOODGRAINS</b>						
<b>Maritime Teak Collection</b>						
	683 - Sand Dune	V	V	V	V	V
	584 - Boardwalk	V	V	V	V	V
	575 - Nautical Brown	V	V	V	V	V
	566 - Stormy Night	V	V	V	V	V
<b>Quartered Oak Collection</b>						
	725 - Misty Morning	V	V	V	V	V
	729 - Tawny Trail	V	V	V	V	V
	743 - Woodland Way	V	V	V	V	V
	732 - Smokewood Valley	V	V	V	V	V
<b>Walnut Revival Collection</b>						
	500 - Mura	V	V	V	V*	V
	502 - Brasa	V	V	V	V*	V
<b>Elmé Collection</b>						
	096 - Moscotto	C	C	C		C
	444 - Niagara	C	C	C		C
	658 - Tuscani	D	D	D		D
	440 - Nebbiolo	C	C	C		C
	747 - Rococo	C	C	C		C
<b>Coastal Collection</b>						
	549 - Charleston Oak	S	S	S		S

### TEXTURE | FINISH

V - Veritas      S - Sabatini      N - SuperMatte  
 C - Cabrera      D - Dakota      4 - Suede  
 \* - Not stocked, MOQ required

107 – Black | 941 – Nova White | Foundational Collection

**Get Started NOW**

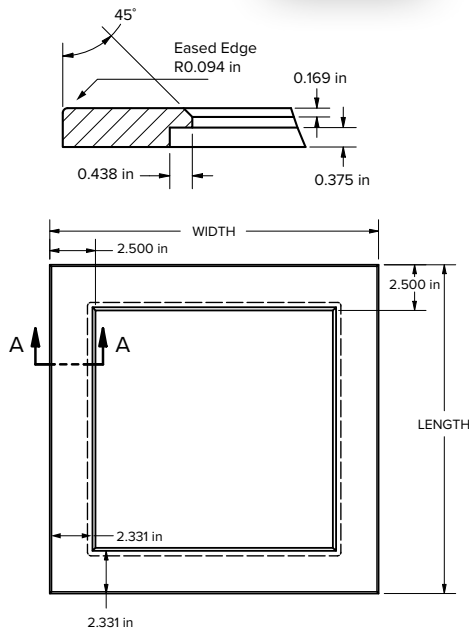
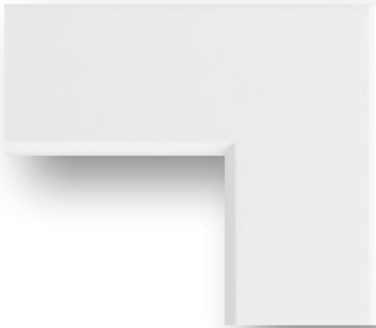
Customize your **NextRun** Program.

## SPECIFICATION DETAILS

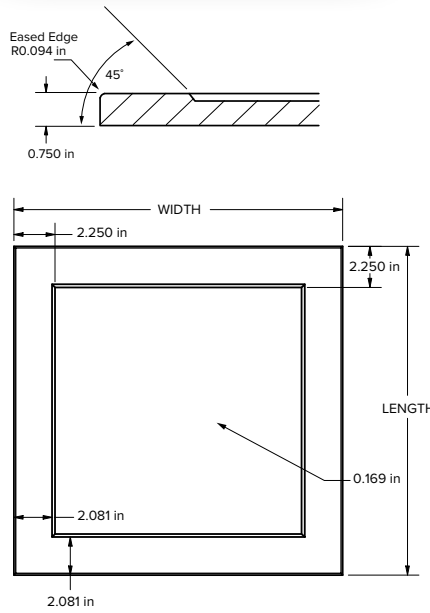
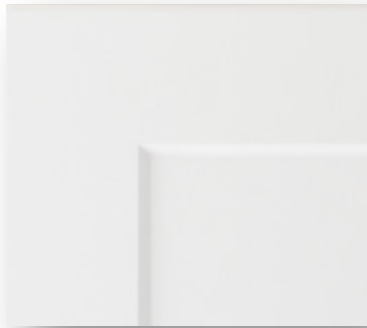
PROFILE	RAIL WIDTH	FRONT DIMENSIONS			
		DRAWER		DOOR	
		WIDTH*	HEIGHT	WIDTH	LENGTH
Prepped for Glass	2.25"	6-48"	6-18"	8-44"	8-96"
Traditional Shaker	2.25"				
Thin Shaker	.58"				
Grooved Craftsman	2.25"				
Traditional Ogee	2.25"				
Raised Center Panel	2.25"				
Contemporary Slab	NA				

\* If less than 6" you will receive a slab with the same edge profile.

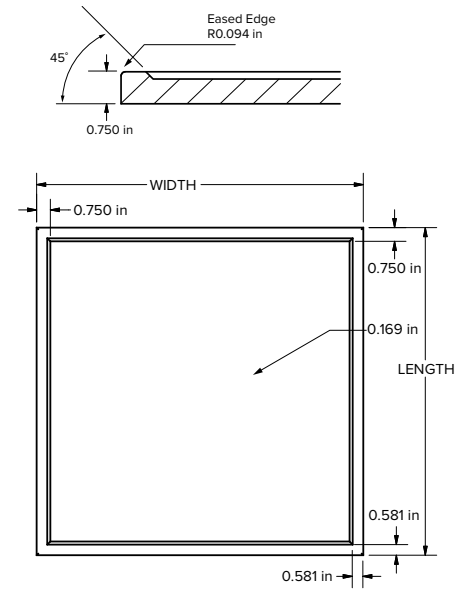
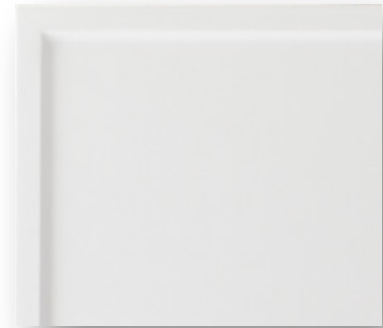
### Prepped for Glass



### Traditional Shaker



### Thin Shaker

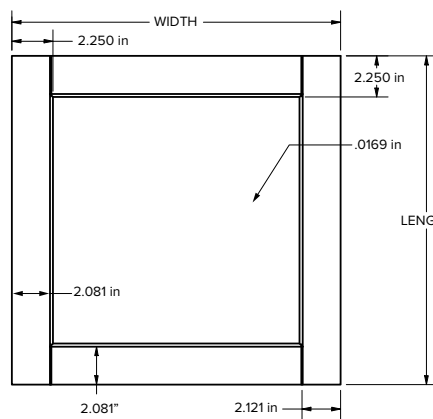
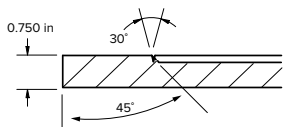


## SPECIFICATION DETAILS

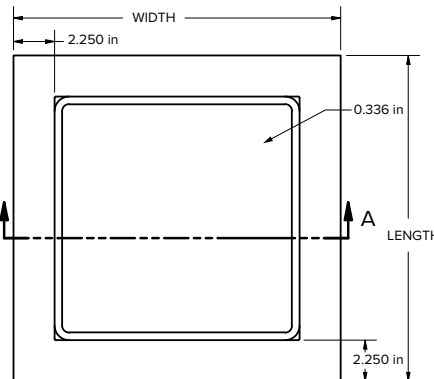
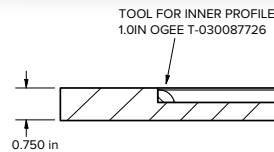
PROFILE	RAIL WIDTH	FRONT DIMENSIONS			
		DRAWER		DOOR	
		WIDTH*	HEIGHT	WIDTH	LENGTH
Prepped for Glass	2.25"				
Traditional Shaker	2.25"				
Thin Shaker	.58"				
Grooved Craftsman	2.25"	6-48"	6-18"	8-44"	8-96"
Traditional Ogee	2.25"				
Raised Center Panel	2.25"				
Contemporary Slab	NA				

\* If less than 6" you will receive a slab with the same edge profile.

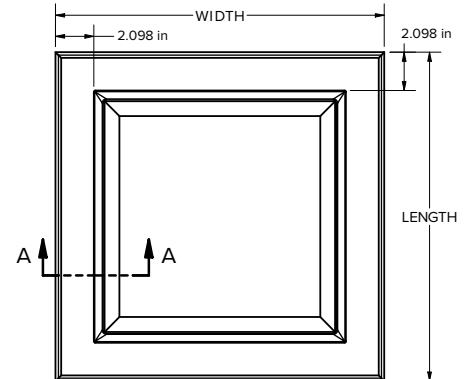
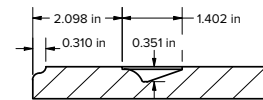
### Grooved Craftsman



### Traditional Ogee



### Raised Center Panel





## GENESIS PRODUCTS

---

# Industrial Limited Warranty Policy

Genesis Products will warranty our product for 1 year from the date of purchase by the end user. This guarantee is limited to raw materials or manufacturing defects. Genesis Products reserves the right as a condition of warranty to request evidence in the form of pictures or samples as deemed necessary.

Detailed information will be required to honor the warranty including Date of Manufacture, location of product, and detailed description of the request.

**Warranty Applies to Manufacturing Related Defects. If a failure is determined, Genesis will cover replacement parts for this product only within the warranty period. We will not be responsible for any cost incurred indirectly for labor, transportation or inconvenience.**

If the affected product is no longer available, Genesis Products reserves the right to: (i) replace the component with a new component of a similar style, or (ii) replace the affected component and any other component within the total product to achieve a uniform appearance with a similar and comparable product style as possible to the original product, materials or manufacturing defects.

### COMMON EXCLUSIONS MAY INCLUDE

---

- // Accidents, misuse, exposure to chemicals
- // Customer design and source components
- // Natural joint movements and seam lines
- // Damage caused by instability/improper structural support
- // Previously repaired parts or alterations including paint
- // Failure to maintain or force majeure
- // Vinyl Performance Hydrolysis Level
- // Environmental factors including smoke damage
- // Exposure to heat/thermal shock
- // Damage caused by installation of improper installation
- // Exposure to moisture/water
- // Normal wear and tear
- // Vinyl Surface Cracking
- // Vinyl UV Color Stability
- // Improper storage